

GREEN LOW LOSS CWDM

LLCC Series

Product Description

Oplink's Green Low Loss Coarse Wavelength Division Multiplexer is designed to meet industrial stringent size and loss requirement. Based on Thin-Film-Filter (TFF) and Micro-optics, this low loss CWDM features small form factor, ultra low insertion loss, high channel isolation, and unparallel reliability. The technology is a lead-free packaging platform and no epoxy in the optical path. The Green Low Loss CWDM is Telcordia GR-122 I and GR-1209 qualified, and complied with industry green initiatives such as RoHS and WEEE.



Performance Specification

LLCC Series		Min	Typical	Max	Unit
Center Wavelength λ_c		Refer to Channel Plan Below			nm
Channel Spacing		20			nm
Channel Passband		13	15		nm
1310 Express Passband		1260		1360	nm
Insertion Loss within Passband ¹⁾	4ch CWDM		0.8	1.0	dB
	8ch CWDM		1.0	1.5	
	CWDM Expansion (4ch CWDM only)		1.0	1.3	
	1310 Express		0.6	0.8	
Passband Ripple			0.3	0.5	dB
Adjacent Channel Isolation		30	40		dB
Non-adjacent Channel Isolation		45	50		dB
1310 Express Isolation over CWDM Bands		40	45		dB
CWDM Expansion Isolation over CWDM Bands (4ch CWDM only)		13	15		dB
Return Loss		45	50		dB
Directivity		55			dB
Polarization Dependent Loss (PDL)				0.20	dB
Polarization Mode Dispersion (PMD)				0.20	ps
Operating Power				300	mW
Operating Temperature			-5 to +70		°C
Storage Temperature			-40 to +85		°C
Fiber Type		G.657A2 or equivalent			
Package Dimensions ³⁾	Standard (With boots, 250 or 900 μ m fiber jacket)	66.2 x 27.5 x 6.0			mm
	Compact (Without boots, 250 μ m fiber jacket only)	53 x 27.5 x 6.0			

Channel Plan

1471.0	1491.0	1511.0	1531.0	1551.0	1571.0	1591.0	1611.0
--------	--------	--------	--------	--------	--------	--------	--------

Features

- ◆ Small Form Factor
- ◆ Environmental Green Plan Compliance
- ◆ Ultra-Low Insertion Loss
- ◆ High Reliability
- ◆ High Channel Isolation
- ◆ Epoxy-Free Optical Path
- ◆ RoHS 6 Compliant

Applications

- ◆ WDM System for Metro/Access Market

Notes:

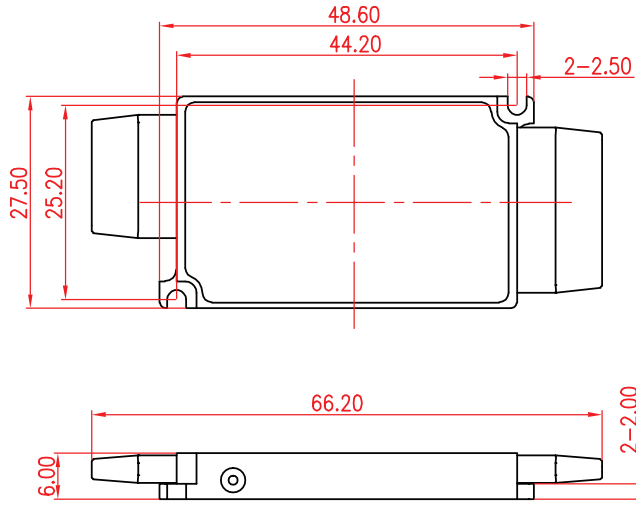
[1] The maximum IL is under all states of polarization and within the full operating temperature and wavelength ranges specified.

[2] All the parameters are without connectors.

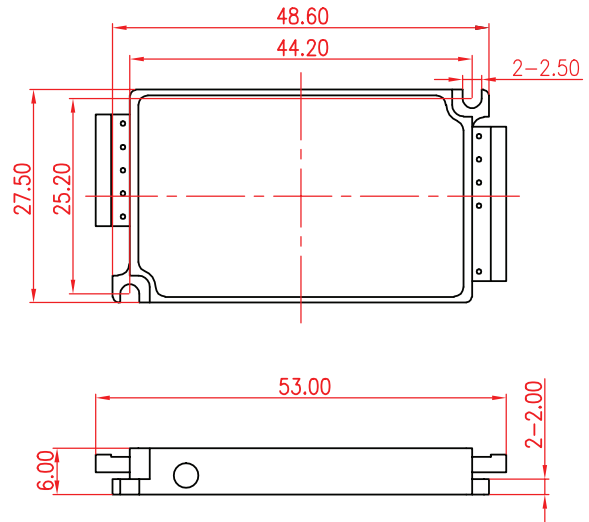
[3] The mechanical tolerance should be +/-0.2mm on all package dimensions unless otherwise custom specified

Mechanical Drawing / Package Dimensions (dimension in mm)

Standard Package



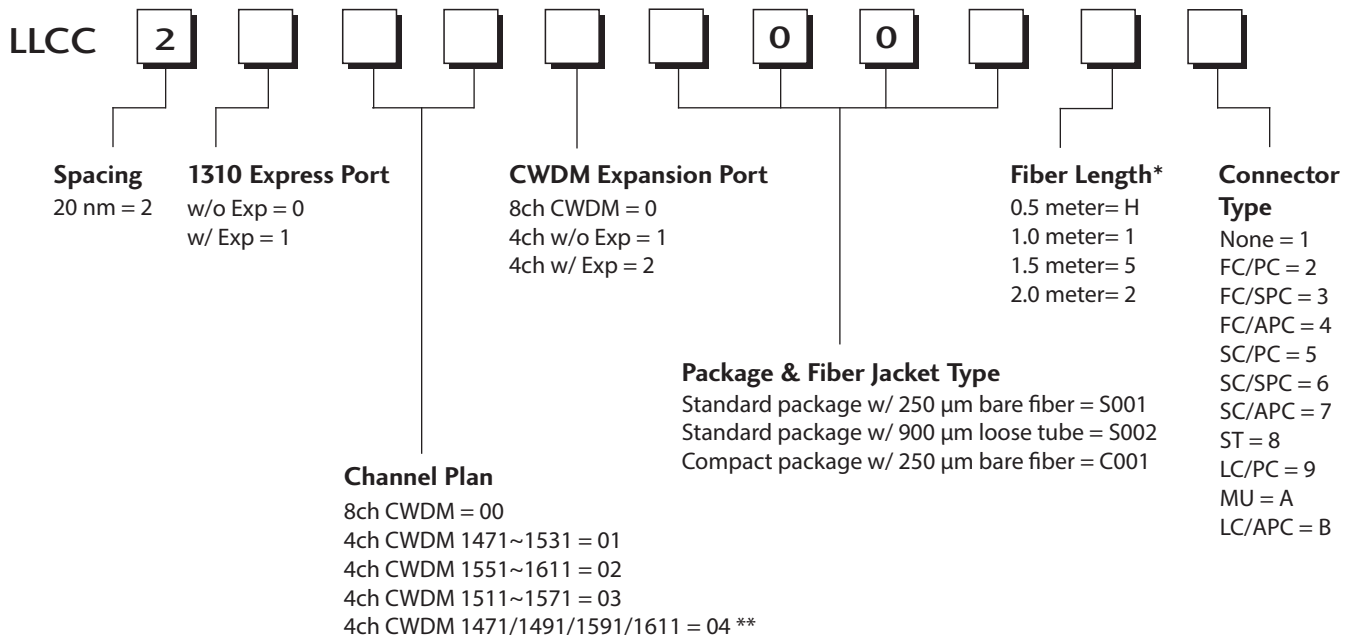
Compact Package



Note: port assignment will vary due to different configuration, please contact Oplink's sales department for further information.

Ordering Information

Oplink can provide a remarkable range of customized optical solutions. For detail, please contact Oplink's OEM design team or account manager for your requirements and ordering information (510) 933-7200.



* The tolerance of fiber length is +/-0.1m (for connector option only, without connector, just keep the length as minimum). 1 meter is standard. The lead-time for special fiber length will be longer.

** For other wavelength plan, please contact Oplink's sales department for further information.